

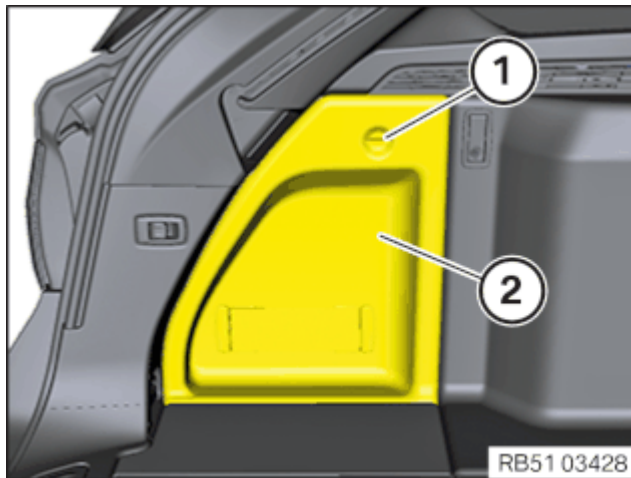
63 21 277 Remove and install rear right light of side panel

PRELIMINARY WORK

1 – Removing the flap in the luggage compartment trim panel on the right



Description is for left component only. Procedure on the right side is identical.



► Remove the flap in the luggage compartment trim panel

- Turn twist lock (1) counter-clockwise to the limit position.
- Open the flap (2) in the luggage compartment trim panel and remove it upwards.

MAIN WORK

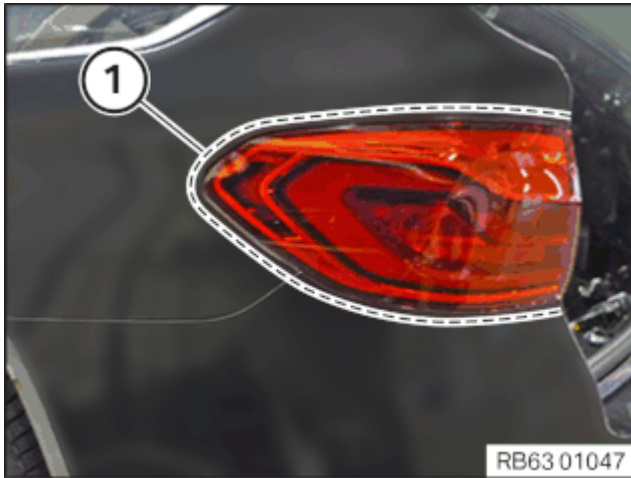
2 – Remove the rear light on the right side panel



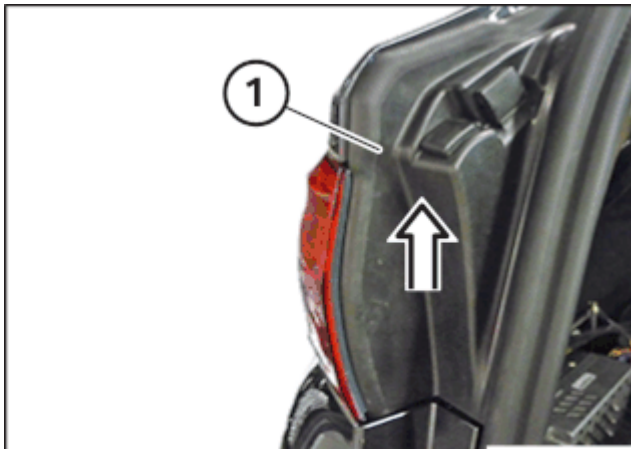
Description is for left component only. Procedure on the right side is identical.

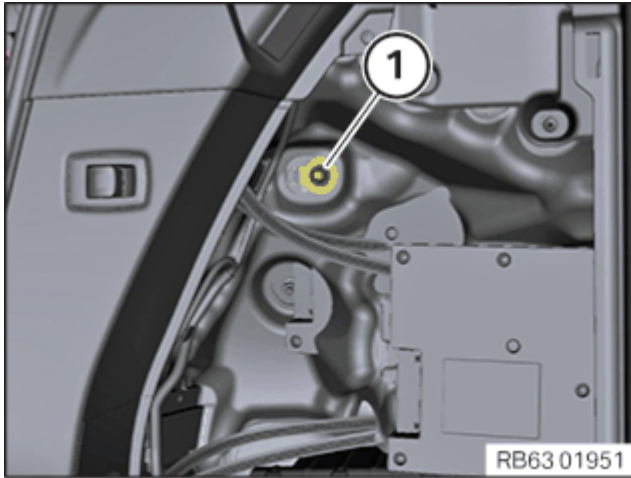
► Removing the rear light on the side panel

- Protect the body in area (1) with adhesive tape.



- Remove the water guide (1) using special tool **0 496 569 (00 9 325)** in the direction of the arrow.

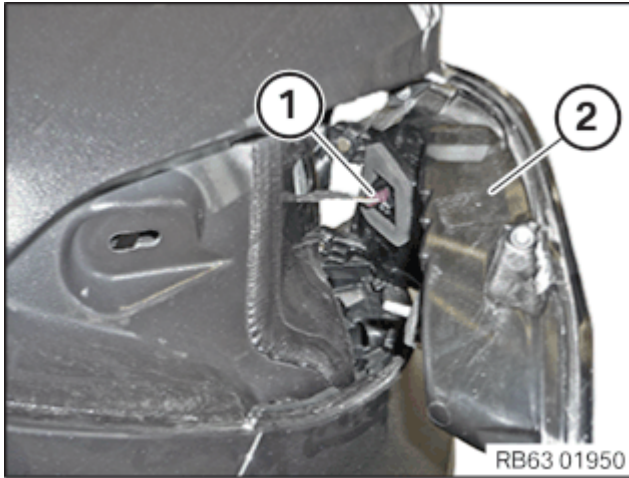




- Release the nut (1) on the inside of the luggage compartment.



- Release nuts (1).
- Feed out the rear light (2).

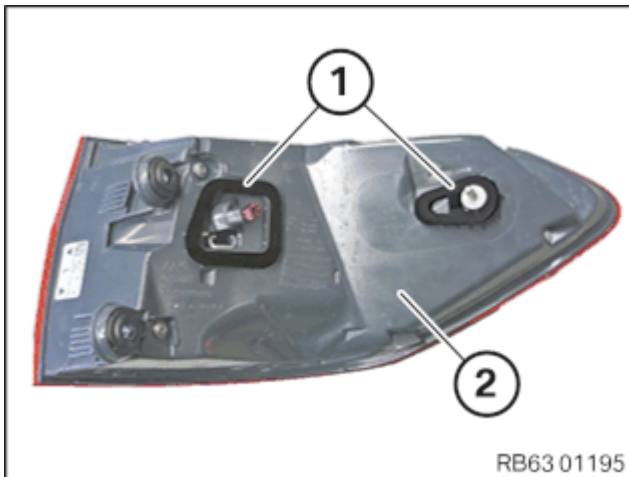


- Unlock the plug connection (1) on the rear light (2) and disconnect.
- Remove the rear light (2).

3 – Renewing the seals of the rear light at the side panel



Description is for left component only. Procedure on the right side is identical.



- Remove the seals (1).
 - Clean bonding surfaces.
 - Renew seals (1).
- Parts:** Seal
- Glue on the seals (1).

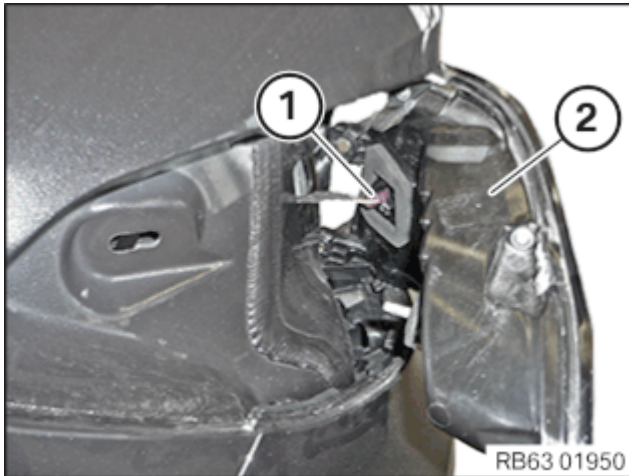
4 – Installing rear light onto side panel at right



Description is for left component only. Procedure on the right side is identical.

► Installing the rear light on the side panel

- Connect the connector (1) to the rear light (2) and lock it.



- Position the rear light (2) on the side panel correctly.
- Renew nuts.

Parts: Nut

- Tighten the nuts (1) on the rear light (2).

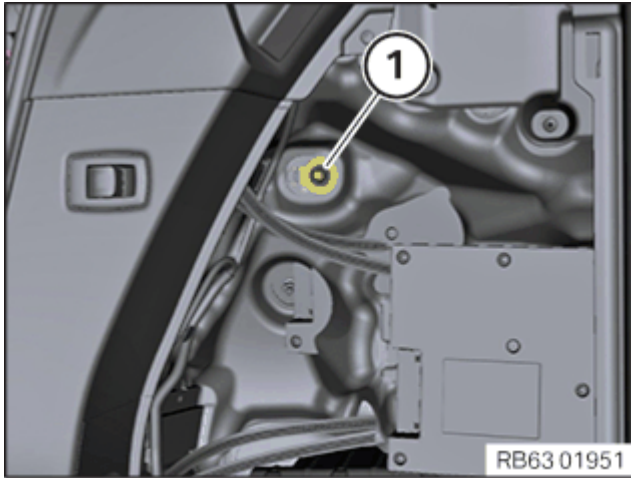
Rear light to side panel

Nut M6

Replace nuts.

2,6 Nm





- Renew nut (1).

Parts: Nut

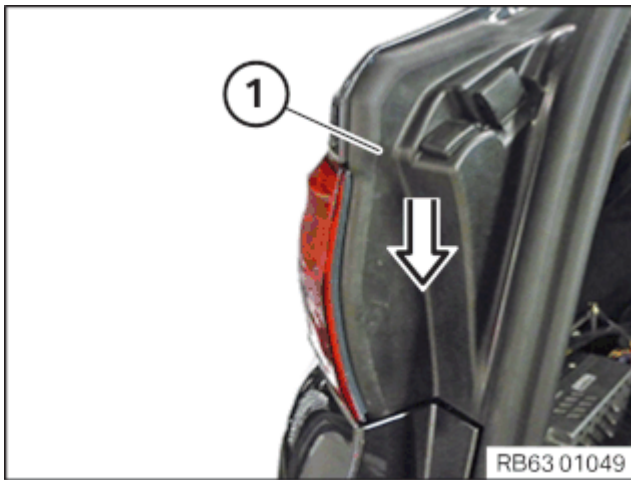
- Tighten the nut (1) on the inside of the luggage compartment.

Rear light to side panel

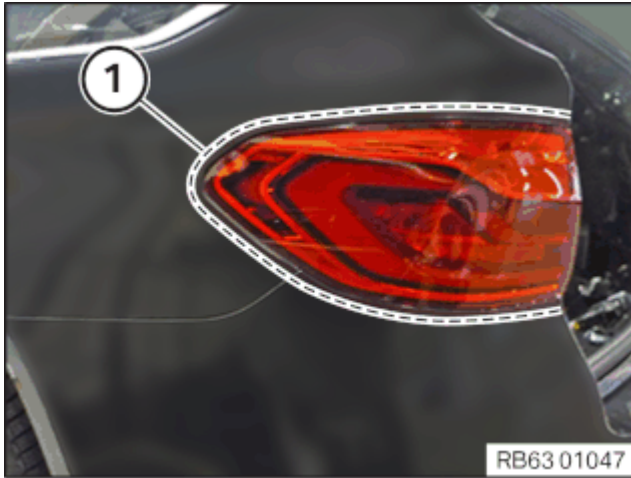
Nut M6

Replace nuts.

2,6 Nm



- Install water supply (1) in the direction of the arrow.



- Remove the adhesive tape in the body area (1).

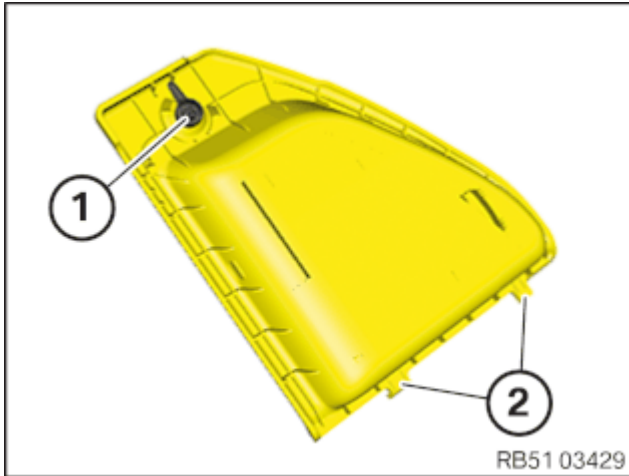
POSTPROCESSES

5 – Installing the flap in the luggage compartment trim panel on the right

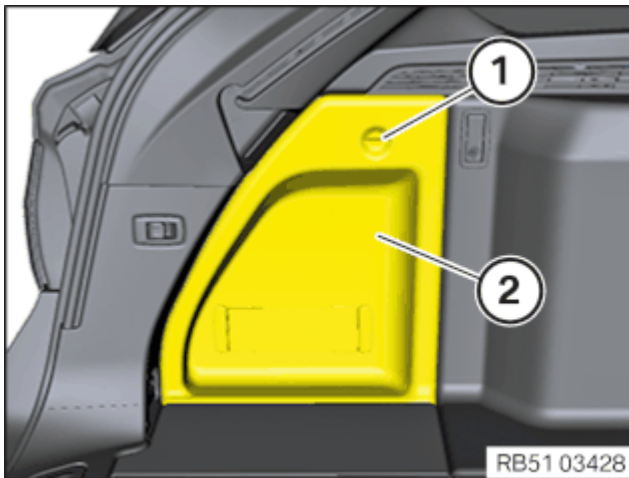


Description is for left component only. Procedure on the right side is identical.

► Installing flap in luggage compartment trim panel



- Check screw cap (1) and guides (2) for damage and, if necessary, renew the flap.



- Insert the flap (2) into the luggage compartment wheel arch trim panel and close it.
- Turn the twist lock (1) clockwise up to the limit position.

Additional Information

Overview of Tightening Torques

Rear light to side panel

Used in step 4

Nut M6	Replace nuts.	2,6 Nm
--------	---------------	--------

Overview of Special Tools

0 496 569 (00 9 325) Wedge



Common

Used in step [2](#)

Usage	(Trim panel wedge) From 11/2008 this special tool replaces trim panel wedge 00 9 317 (different material)
Included in the tool or work	0 490 527
Storage location	Individual
Replaced by	
In connection with	
SI-Number	41 01 09 (507)

Parts

Parts required

Designation

Used in step

Seal	3
Nut	4
Nut	4

For informational purposes only. The information on this website is provided AS-IS with no warranties, express or implied, and is not guaranteed to be error-free, up-to-date or complete. NewTIS and BMW assume no liability for any loss or damage arising from the use or reliance on the information and content on this website. The content on this website is subject to change without notice.